



## *New Braunfels Fire Department*

*"Be Nice, Be Professional"*

### **Gate Access**

**Security Gates-** The installation of security gates across a fire apparatus access road shall be approved by the fire chief. Where security gates are installed, they shall have an approved means of emergency operation. The security gates and the emergency operation shall be maintained operational at all times.

Manual gates that are secured with a chain and lock system shall have an approved fire department lock installed, or a key box installed on the gate with a key to the lock being used to secure the gate inside.

Electric gates shall have an approved fire department key switch installed to meet the following requirements (see also example 1-1):

**Height-** The key switch shall be placed at a height of 5 ½ feet from finished grade.

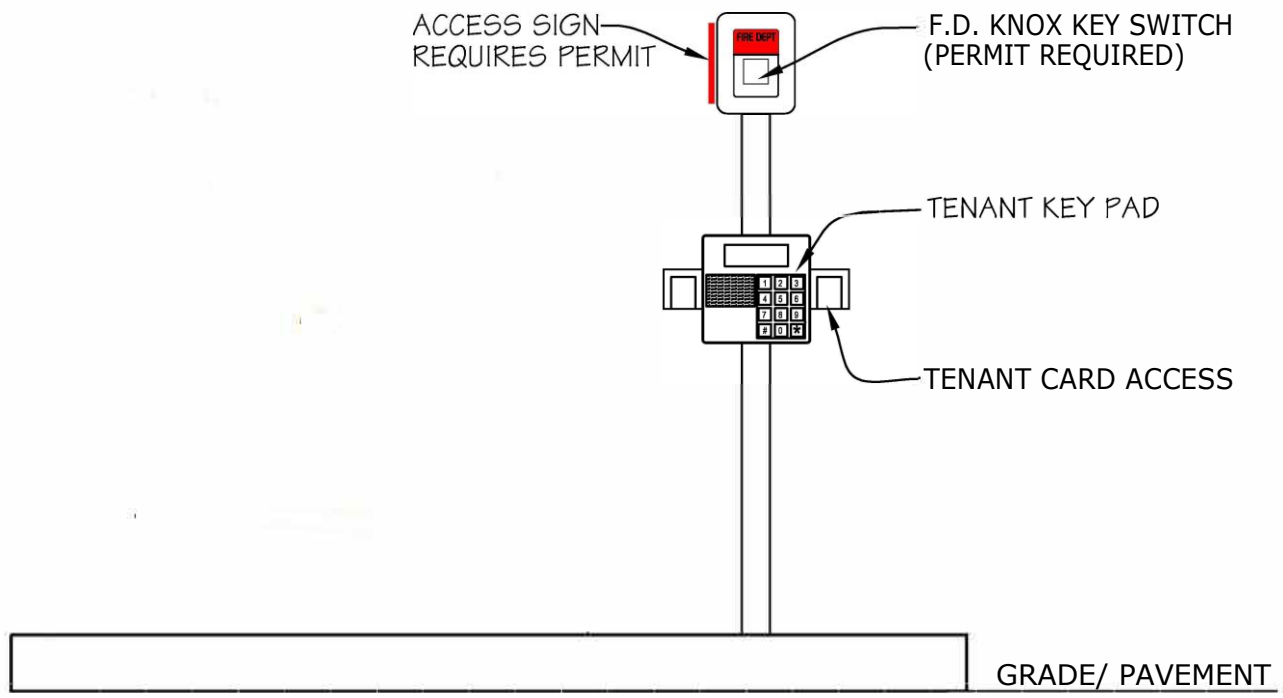
**Location-** The key switch shall be placed directly above the tenant key pad at the height designated above. When the exit gate does not open automatically when approached from the exiting side, that gate shall also have a fire department key switch installed in the same manner.

**Visibility-** The key switch shall be illuminated by some source of light to be readily operational in time of darkness.

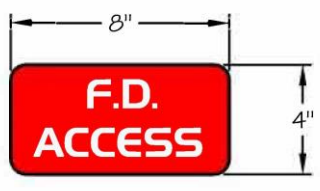
**Identification-** The key switch shall be identified by a sign 8" in width by 4" in height that reads- "F.D. ACCESS". It shall have white letters on a red reflective background. The sign shall be placed directly behind the switch housing to be seen as the apparatus approaches the entrance.

**Standby Power System-** In the event of power failure, there shall be an alternate means of operation. This may be done by the use of battery back-up or connection to an emergency generator. The system shall open the gates and hold them in the open position until primary power has been restored.

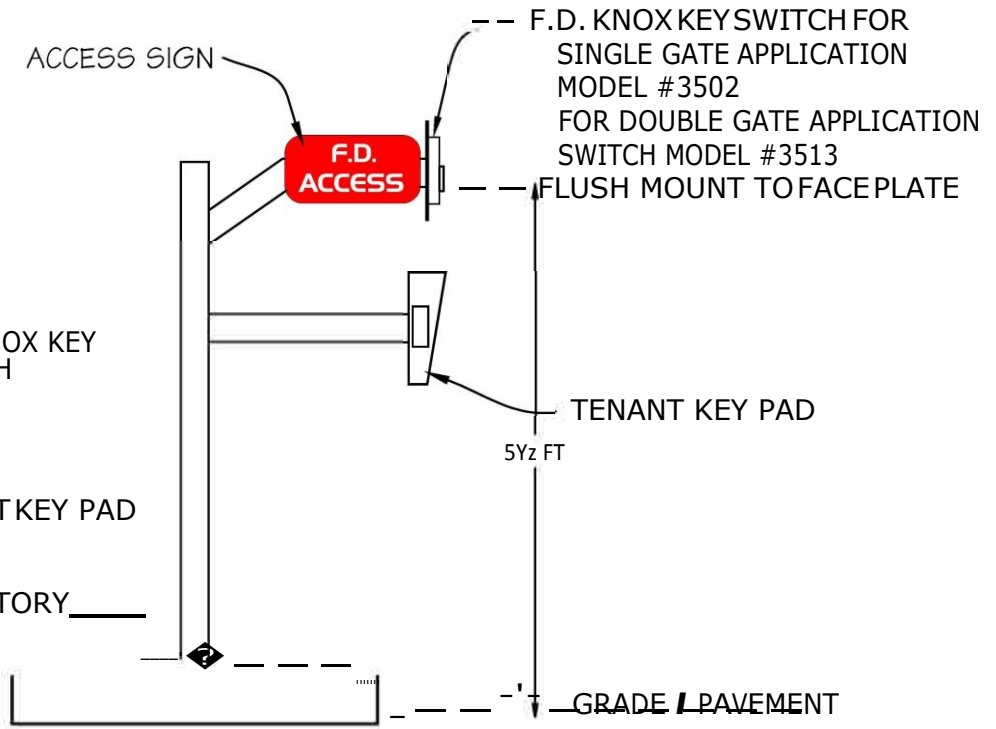
The locations and equipment used for gate access as well as key boxes shall be approved by the Fire Marshal's office prior to the installation of these devices. If there are any questions regarding any of these requirements, please contact the Fire Marshal's office for assistance.



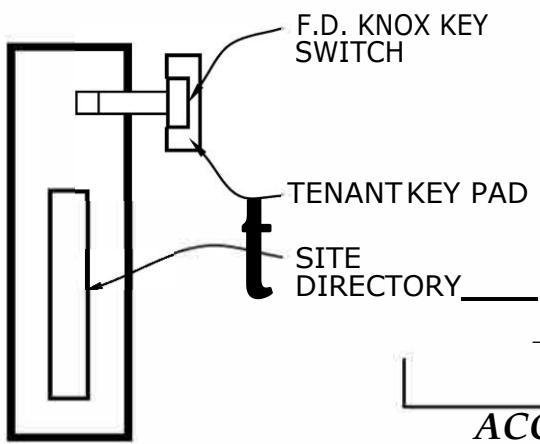
**ENTRANCE ISLAND  
ELEV. DETAIL (FRONT VIEW)**



**ACCESS SIGN  
DETAIL**



**ACCESSPADS  
ELEV. DETAIL (SIDE VIEW)**



**PLAN VIEW**